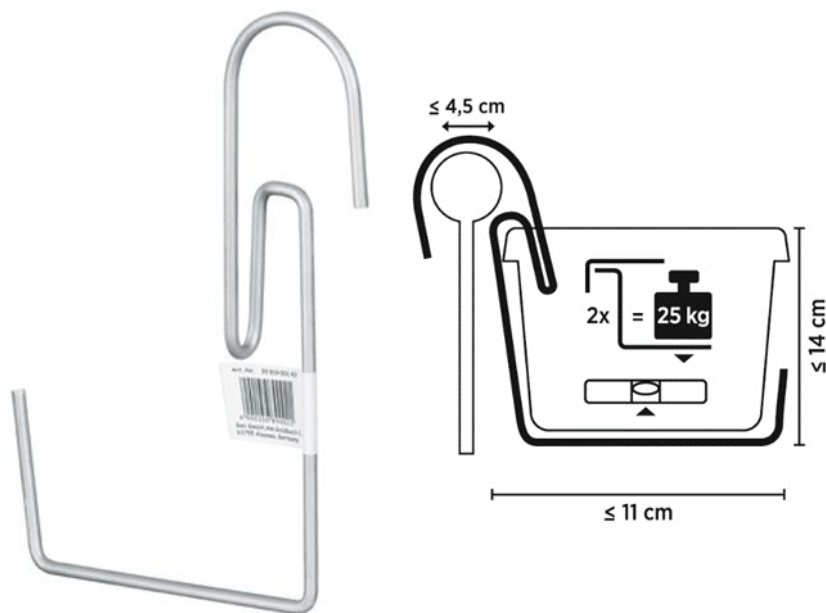


# Flower Box Bracket TYPE G

## Instructions for Use & Safety Instructions



Article number: 39 819 001 42

Dear Customer,

We are pleased that you have chosen the **Geli flower box bracket type G**.



**Please read these instructions carefully before using your flower box bracket.**



**Keep the instructions for use. They provide important safety instructions for attaching and using your flower box bracket.**



**Please make sure that you have read and understood the safety instructions.**

#### **OUR COMPANY ADDRESS:**

Geli GmbH  
Am Goldbach 1  
63755 Alzenau-Michelbach  
Germany

[www.geli.de](http://www.geli.de)  
[info@geli.de](mailto:info@geli.de)

### **Safety and liability information:**

- This bracket is exclusively designed for mounting planted flower boxes.
- The manufacturer accepts no liability for personal or material damage resulting from improper installation or other misuse.
- After installation, the installer must check that the flower box and bracket are securely attached.
- The flower box must **not weigh more than 25 kg** (incl. plants, soil and water). Please note that when using outdoors, the weight should not be increased by snow load or rain.
- It is important to regularly check the bracket and to recheck it when replanting.

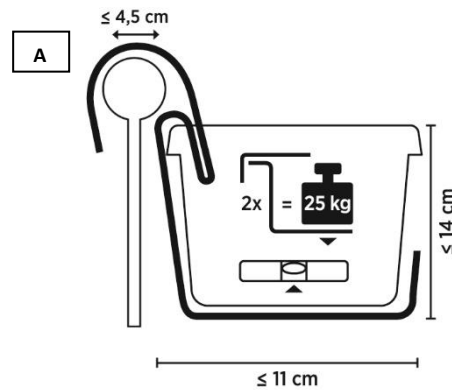
### **Assembly instructions:**

- The Geli flower box bracket is suitable for flower boxes on railings or parapets with a **maximum width of 4.5 cm**.
- Before securing the bracket, it must be ensured that no persons are located below the installation site.
- In case of strong winds or storms, the installation should be avoided, and the flower box should be removed if necessary.
- The flower box bracket is flexible and adjustable.
- Suitable for flower boxes with a **maximum width of 11 cm** and a **maximum height of 14 cm**.
- Suitable for railings and parapets up to **4.5 cm**
- Made of plastic-coated steel
- Maximum load is **25 kg**.

### **Important installation requirements:**

- Railings and parapets must have stability and load-bearing capacity.
- Porous, detached or damaged balconies, wall endings or railings may not be used.
- If the installation is carried out with a ladder, a second person should be present to assist with the installation.
- Safe and stable positioning of the ladder must be guaranteed.

## Mounting the Geli flower box bracket type G:



- Place the flower box bracket **hook A** on the railing. (The maximum **width of the railing may not exceed 4.5 cm.**)
- Make sure that the bracket is firmly seated and does not wobble.
- Carefully place the flower box in the two properly installed brackets. (**the outer dimension of the flower box must not exceed 11 cm, and the height must not exceed 14 cm, the maximum weight of the flower box must not exceed 25 kg**).
- Ensure that the flower box rests securely and cannot shift.
- The flower box must be placed horizontally into both properly installed flower box brackets.
- Check the secure hold of your flower box by applying pressure.