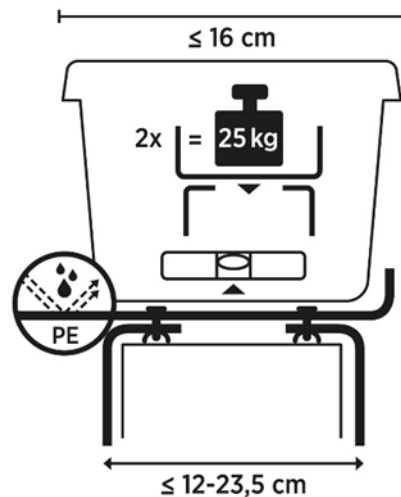


# Flower Box Bracket TYPE H

## Instructions for Use & Safety Instructions



Dear Customer,

We are pleased that you have chosen the **Geli flower box bracket type H**.



**Please read these instructions carefully before using your flower box bracket.**



**Keep the instructions for use. They provide important safety instructions for attaching and using your flower box bracket.**



**Please make sure that you have read and understood the safety instructions.**

#### **OUR COMPANY ADDRESS:**

Geli GmbH  
Am Goldbach 1  
63755 Alzenau-Michelbach  
Germany

[www.geli.de](http://www.geli.de)  
[info@geli.de](mailto:info@geli.de)

### **Safety and liability information:**

- This bracket is exclusively designed for mounting planted flower boxes.
- The manufacturer accepts no liability for personal or material damage resulting from improper installation or other misuse.
- After installation, the installer must check that the flower box and bracket are securely attached.
- The flower box must **not weigh more than 25 kg** (incl. plants, soil and water). Please note that when using outdoors, the weight should not be increased by snow load or rain.
- It is important to regularly check the bracket and to recheck it when replanting.

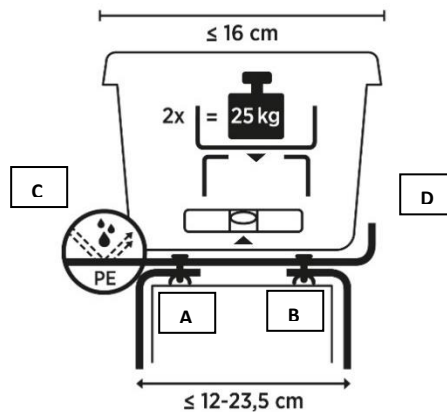
### **Assembly instructions:**

- The Geli flower box bracket is suitable for flower boxes on railings or parapets with a **maximum width of 12 cm to 23,5 cm**.
- Before securing the bracket, it must be ensured that no persons are located below the installation site.
- In case of strong winds or storms, the installation should be avoided, and the flower box should be removed if necessary.
- The flower box bracket is flexible and adjustable.
- Suitable for flower boxes with a **maximum width of 16 cm** and a **maximum height of 19 cm**.
- Suitable for railings and parapets of **12 cm to 23,5 cm**.
- Made of plastic-coated steel
- Maximum load is **25 kg**.

### **Important installation requirements:**

- Railings and parapets must have stability and load-bearing capacity.
- Porous, detached or damaged balconies, wall endings or railings may not be used.
- If the installation is carried out with a ladder, a second person should be present to assist with the installation.
- Safe and stable positioning of the ladder must be guaranteed.

## Mounting the Geli flower box bracket type H:



- With the **retaining bracket A and B**, you can adjust the flower box bracket to the width of your parapet. (The maximum width of the parapet **may not exceed 23.5 cm and must be at least 12 cm.**)
- To do this, loosen the **locking screws A and B** and adjust the dimension to your parapet.
- The distance between the two **retaining brackets C + D** is determined according to the size of the flower box (the outer dimension of the flower box **may not exceed 16 cm**).
- To do this, loosen the **locking screws C + D** and adjust the dimension on your flower box.
- Next, **all locking screws** must be tightened securely.
- Check the bracket for a secure fit.
- The flower box must be placed centrally in both properly installed flower box brackets.
- If necessary, adjust the distances again.
- Check the secure hold of your balcony box by applying pressure.