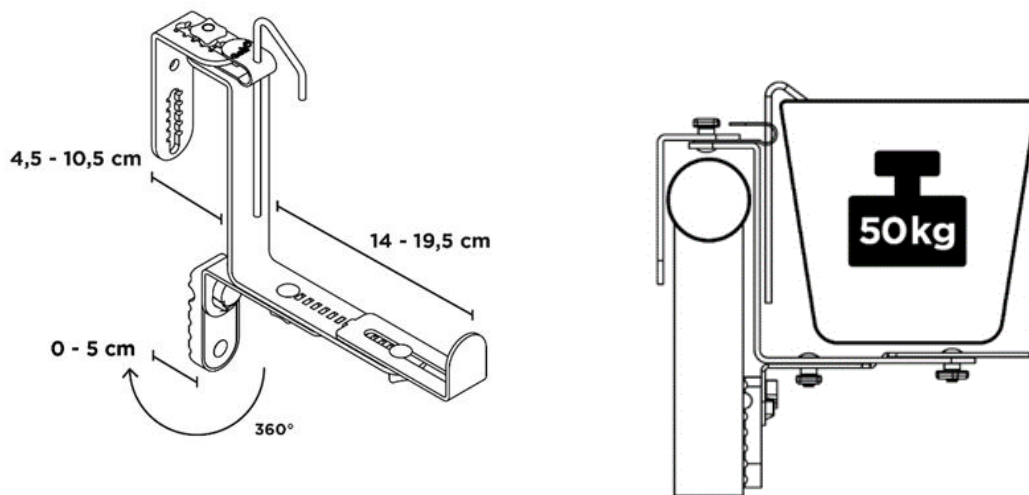


Flower Box Bracket TYPE U

Instructions for Use & Safety Instructions



Article number: 39 816 000 .. + 38 816 000 ..

Dear Customer,

We are pleased that you have chosen the **Geli flower box bracket type U**.



Please read these instructions carefully before using your flower box bracket.



Keep the instructions for use. They provide important safety instructions for attaching and using your flower box bracket.



Please make sure that you have read and understood the safety instructions.

OUR COMPANY ADDRESS:

Geli GmbH
Am Goldbach 1
63755 Alzenau-Michelbach
Germany

www.geli.de
info@geli.de

Safety and liability information:

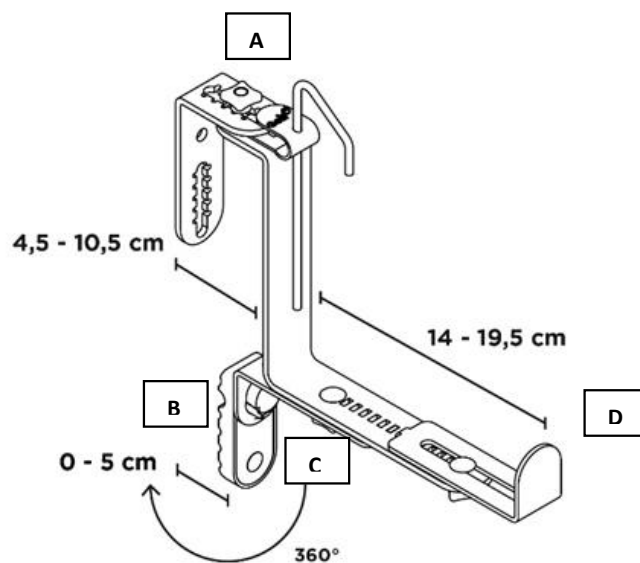
- This bracket is exclusively designed for mounting planted flower boxes.
- The manufacturer accepts no liability for personal or material damage resulting from improper installation or other misuse.
- After installation, the installer must check that the flower box and bracket are securely attached.
- The flower box must **not weigh more than 50 kg** (incl. plants, soil and water). Please note that when using outdoors, the weight should not be increased by snow load or rain.
- It is important to regularly check the bracket and to recheck it when replanting.

Assembly instructions:

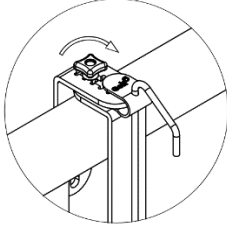
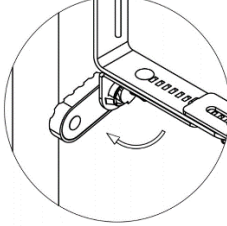
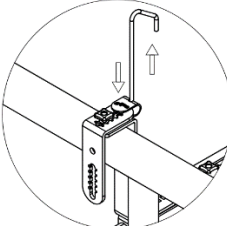
- The Geli flower box bracket is suitable for flower boxes on railings or parapets with a **maximum width of 4.5 cm to 10,5 cm**.
- Before securing the bracket, it must be ensured that no persons are located below the installation site.
- In case of strong winds or storms, the installation should be avoided, and the flower box should be removed if necessary.
- The flower box bracket is flexible and adjustable.
- Suitable for flower boxes with a **maximum width of 14 cm to 19,5 cm** and a **maximum height of 20 cm**.
- Suitable for railings and parapets up to **4,5 cm to 10,5 cm**
- Made of plastic-coated steel
- Maximum load is **50 kg**.

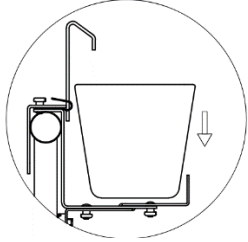
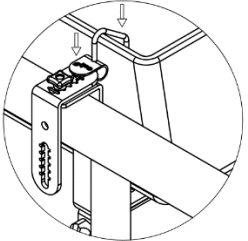
Important installation requirements:

- Railings and parapets must have stability and load-bearing capacity.
- Porous, detached or damaged balconies, wall endings or railings may not be used.
- If the installation is carried out with a ladder, a second person should be present to assist with the installation.
- Safe and stable positioning of the ladder must be guaranteed.



Installation instructions for railings

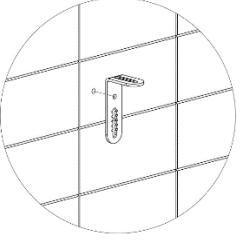
Step 1		Adjustment of the flower box bracket to the width of the railing: Loosen the locking screw A and adjust the dimension to your railing or parapet.
Step 2		The spacer B and the retaining bracket C ensure a horizontal fit. Adjust this according to your railing.
Step 3		Press the tensioning metal and pull the safety hook upward.
Step 4		The distance between the two retaining brackets C + D is determined according to the size of the flower box. To do this, loosen the locking screws C + D and adjust the dimension on your flower box.
Step 5		Next, all locking screws must be tightened securely. Check the bracket for a secure fit.

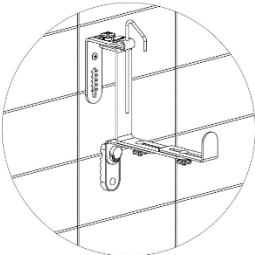
Step 6		Place the flower box horizontally into both properly installed flower box brackets. If necessary, adjust the distances again. Check the secure hold of your balcony box by applying pressure.
Step 7		Press the tensioning metal and slide the safety hook downwards.
Step 8		Check the firm and secure hold of the flower box again.

Installation instructions for wall mounting

You will need (not included in the scope of delivery):

- Screws and dowels (depending on wall type)
- Drill with an appropriate drill bit
- Spirit level
- Screwdriver or cordless screwdriver
- Pencil for drawing

Step 1		<p>With the help of the locking screw A, remove the upper retaining bracket from the remaining flower box bracket.</p> <p>Select a suitable wall for mounting the flower box brackets. The wall should be stable enough to support the weight of the planter.</p> <p>Use a spirit level to ensure that the two flower box brackets are straightened later.</p> <p>Mark the drill holes with a pencil on the wall according to the attachment points on the flower box bracket.</p>
Step 2		<p>Hold the flower box bracket against the wall and align it with the pre-drilled holes.</p> <p>Use the appropriate screws to secure the flower box brackets to the wall. Tighten the screws with a screwdriver or cordless screwdriver.</p>

<p>Step 3</p>		<p>Check with the spirit level whether the two flower box brackets have been mounted horizontally.</p> <p>Use the locking screw A to mount the flower box bracket. The spacer B should also rest against the wall and ensure a horizontal and stable position of the flower box bracket.</p> <p>Next, all locking screws must be tightened securely. Check the flower box bracket for a secure fit.</p>
<p>Step 4</p>		<p>Press the tensioning metal and pull the safety hook upward.</p>
<p>Step 4</p>		<p>Place the flower box horizontally into both properly installed flower box brackets. If necessary, adjust the distances again. Check the secure hold of your balcony box by applying pressure.</p> <p>Press the tensioning metal and slide the safety hook downwards.</p> <p>Check the firm and secure hold of the flower box again.</p>