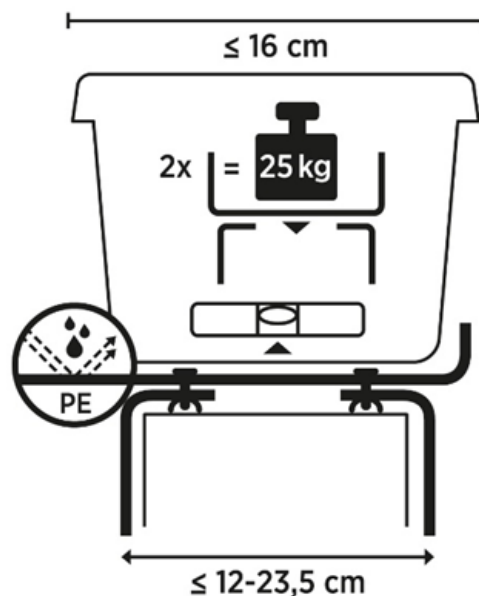


Flower Box Bracket TYPE H

Instructions for Use & Safety Instructions



Dear Customer,

We are pleased that you have chosen the **Geli flower box bracket type H**.



Please read these instructions carefully before using your flower box bracket.



Keep the instructions for use. They provide important safety instructions for attaching and using your flower box bracket.



Please make sure that you have read and understood the safety instructions.

OUR COMPANY ADDRESS:

Geli GmbH
Am Goldbach 1
63755 Alzenau-Michelbach
Germany

www.geli.de

info@geli.de

Safety and liability information:

- This bracket is exclusively designed for mounting planted flower boxes.
- The manufacturer accepts no liability for personal or material damage resulting from improper installation or other misuse.
- After installation, the installer must check that the flower box and bracket are securely attached.
- The flower box must **not weigh more than 25 kg** (incl. plants, soil and water). Please note that when using outdoors, the weight should not be increased by snow load or rain.
- It is important to regularly check the bracket and to recheck it when replanting.

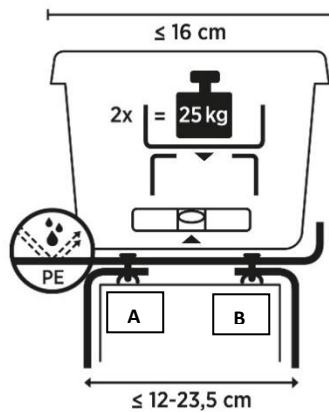
Assembly instructions:

- The Geli flower box bracket is suitable for flower boxes on railings or parapets with a **maximum width of 12 cm to 23,5 cm**.
- Before securing the bracket, it must be ensured that no persons are located below the installation site.
- In case of strong winds or storms, the installation should be avoided, and the flower box should be removed if necessary.
- The flower box bracket is flexible and adjustable.
- Suitable for flower boxes with a **maximum width of 16 cm** and a **maximum height of 19 cm**.
- Suitable for railings and parapets of **12 cm to 23,5 cm**.
- Made of plastic-coated steel
- Maximum load is **25 kg**.

Important installation requirements:

- Railings and parapets must have stability and load-bearing capacity.
- Porous, detached or damaged balconies, wall endings or railings may not be used.
- If the installation is carried out with a ladder, a second person should be present to assist with the installation.
- Safe and stable positioning of the ladder must be guaranteed.

Mounting the Geli flower box bracket type H:



- With the **retaining bracket A and B**, you can adjust the flower box bracket to the width of your parapet. (The maximum width of the parapet **may not exceed 23.5 cm and must be at least 12 cm.**)
- To do this, loosen the **locking screws A and B** and adjust the dimension to your parapet.
- The distance of the support bracket for holding the flower box is not adjustable. It is a fixed bracket designed for flower boxes with a **maximum width of 16 cm.**
- Next, **all locking screws** must be tightened securely.
- Check the bracket for a secure fit.
- The flower box must be placed centrally in both properly installed flower box brackets.
- If necessary, adjust the distances again.
- Check the secure hold of your balcony box by applying pressure.